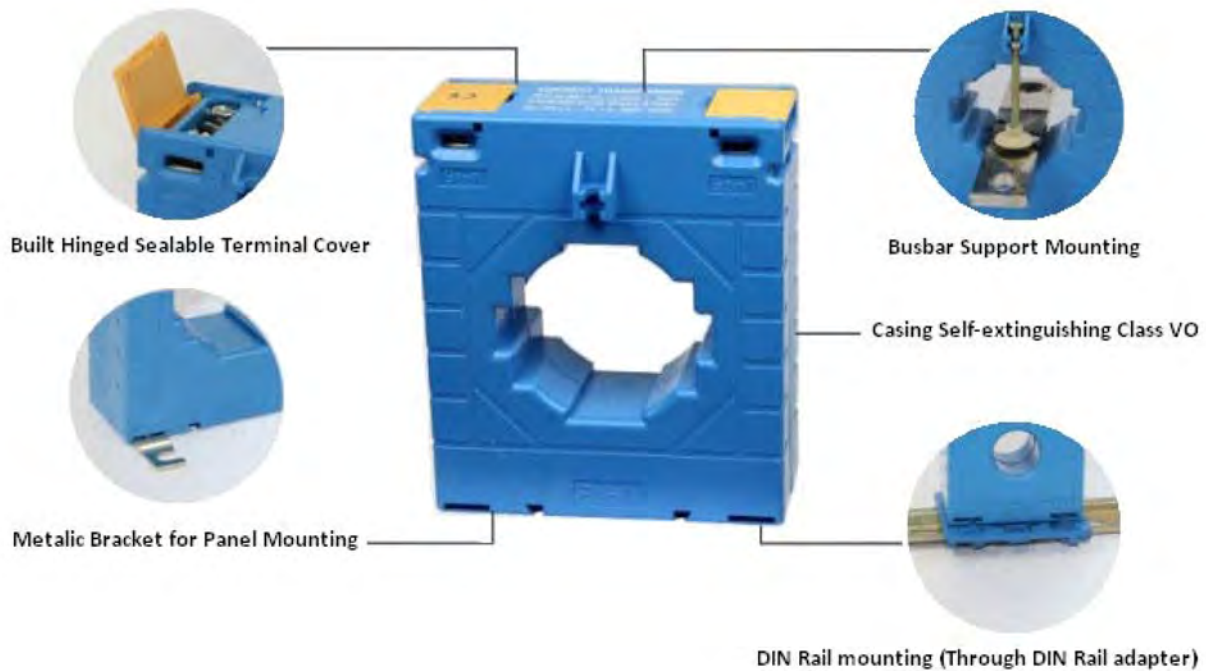


Solid Core Current Transformers

Solid Core, compact in design, plastic case current transformers, fitted with integral hinged terminal covers.



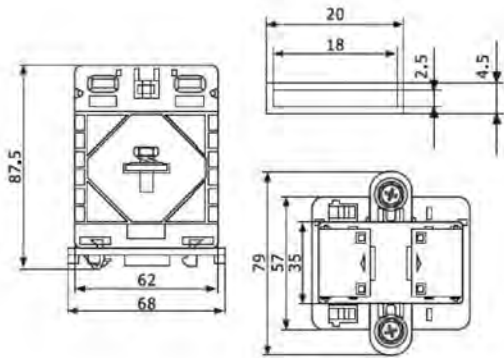
Specifications

Primary Current: 5A-3000A
Secondary Current: 5A, 1A
Standard Approval: VDE0414, BS7626, IEC44-1
Maximum Voltage: 0.72/3KV
Frequency: 50-60Hz
Rated Load: 1.5VA, 2.5VA, 5VA, 10VA, 15VA
Class Accuracy: 0.5, 1.0, 3.0
Short time thermal current: $I_{th} = 60 \times I_n$
Rated security coefficient: FS<5

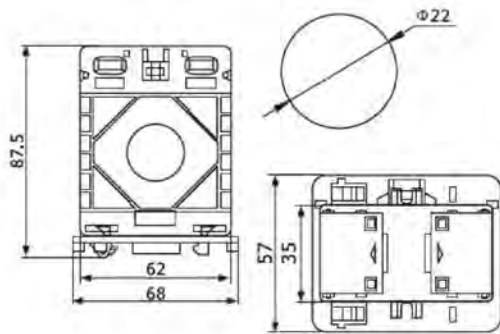
Installation/Mounting

DIN Rail Mounted
Foot Mounted
Busbar Mounting Clips

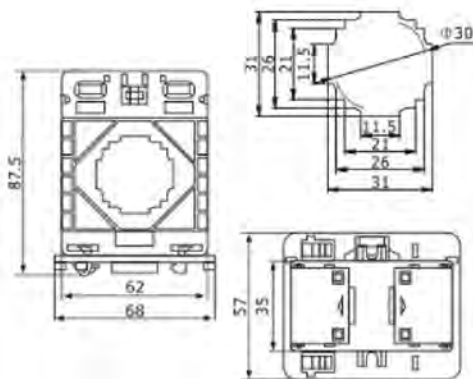
CT-MES Current Transformers



Type	Rated Current (A)	Rated Power (VA)		
		Class: 0.5	Class:1.0	Class:3.0
CT-MES-62/20B	5/5	1.5	2.5	-
	10/5	1.5	2.5	-
	15/5	1.5	2.5	-
	20/5	1.5	2.5	-
	25/5	1.5	2.5	-
	30/5	1.5	2.5	-
	40/5	1.5	2.5	-
	50/5	1.5	2.5	-
	60/5	1.5	2.5	-
	75/5	1.5	2.5	-
	100/5	1.5	2.5	-
150/5	1.5	2.5	-	

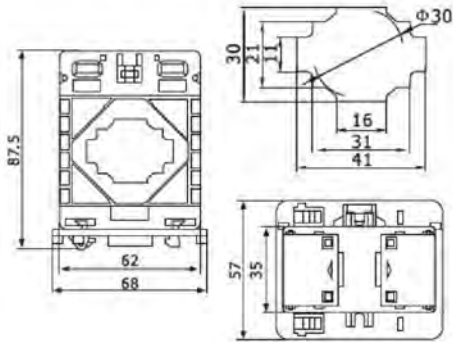


Type	Rated Current (A)	Rated Power (VA)		
		Class: 0.5	Class:1.0	Class:3.0
CT-MES-62/20	30/5	-	-	1.5
	40/5	-	-	1.5
	50/5	-	1.5	-
	60/5	-	2.5	-
	75/5	-	1.5	-
	80/5	-	2.5	-
	100/5	1.5	2.5	-
	150/5	2.5	3.75	-
	200/5	3.75	5	-

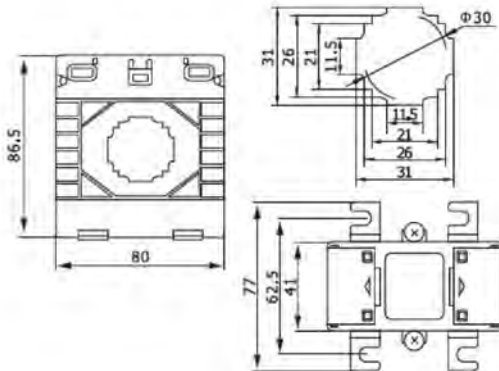


Type	Rated Current (A)	Rated Power (VA)		
		Class: 0.5	Class:1.0	Class:3.0
CT-MES-62/30	30/5	-	-	2.5
	40/5	-	-	2.5
	50/5	-	-	2.5
	60/5	-	1.5	-
	75/5	-	1.5	-
	100/5	1.5	2.5	-
	150/5	2.5	3.75	-
	200/5	3.75	5	-

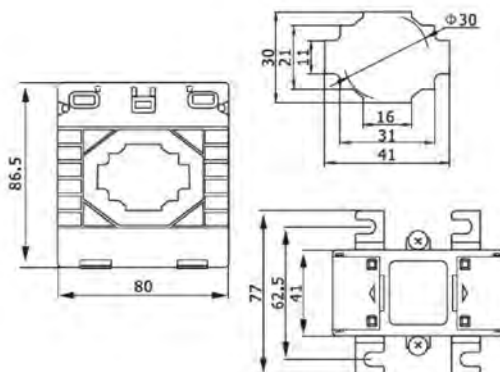
CT-MES Current Transformers



Type	Rated Current (A)	Rated Power (VA)		
		Class: 0.5	Class:1.0	Class: 3.0
CT-MES-62/40	60/5	-	1.5	-
	75/5	-	1.5	-
	100/5	-	1.5	-
	150/5	-	2.5	-
	200/5	2.5	3.75	-
	250/5	2.5	3.75	-
	300/5	3.75	5	-

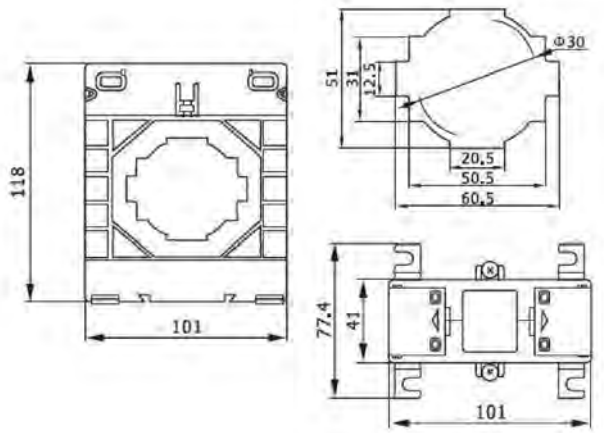


Type	Rated Current (A)	Rated Power (VA)		
		Class: 0.5	Class:1.0	Class: 3.0
CT-MES-80/30	30/5	-	-	2.5
	50/5	-	2.5	-
	60/5	-	2.5	-
	75/5	-	1.5	-
	100/5	-	2.5	-
	150/5	2.5	3.75	-
	200/5	5	5	-

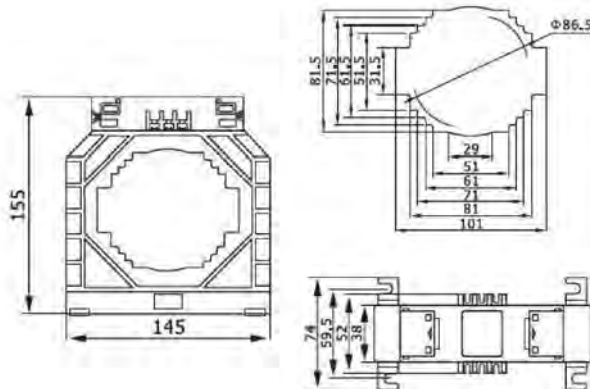


Type	Rated Current (A)	Rated Power (VA)		
		Class: 0.5	Class:1.0	Class:3.0
CT-MES-80/40	100/5	-	2.5	-
	150/5	2.5	3.75	-
	200/5	3.75	5	-
	250/5	3.75	5	-
	300/5	5	5	-
	400/5	5	10	-
	500/5	5	10	-

CT-MES Current Transformers



Type	Rated Current (A)	Rated Power (VA)	
		Class: 0.5	Class:1.0
CT-MES-100/60	600/5	10	15
	800/5	10	15
	1000/5	10	20
	1200/5	15	20



Type	Rated Current (A)	Rated Power (VA)	
		Class: 0.5	Class:1.0
CT-MES-145/100	1000/5	15	20
	1200/5	15	20
	1500/5	15	20
	1600/5	15	20
	2000/5	15	25
	2500/5	15	25
	3000/5	15	25